



In freezing temperatures, searing heat and even underwater...you can rely on NJ Phillips.



20ml Drencher / Injector – Metal

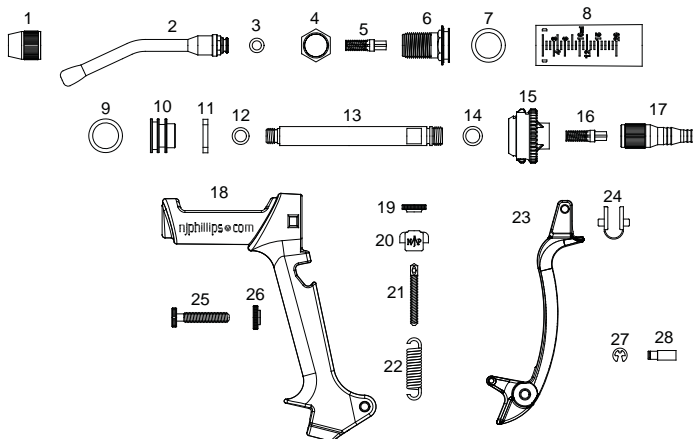
Code: PAD1232

OUR NEW 20ml IS NOW EVEN BETTER!



Suitable for: Cattle & Sheep

- Handles most thick and thin products as well as particulates.
- Highly chemical resistant cylinder with moulded graduations that will not rub off.
- High-flow blockage resistant valves improves performance.
- Easy to use dose adjustment system.
- Light weight, compact, well balanced and robust design.
- Dual barb allows 3/8" (10mm) and 1/4" (6mm) bore feed tubes.
- Fits a variety of nozzles.
- **PAD1232C** – 20ml DrenchMaster backpack included.
- **PASD1232** – 20ml DrenchMaster injection kit included.



LEGEND:

1. Nozzle Nut (SN4), 2. Sheep Nozzle (SXN240), 3. Nozzle Seal Ring (SP1), 4. Delivery Cage Lock Nut (SN5), 5. Delivery Valve Assembly (WX291), 6. Delivery Valve Cage (SN496), 7. Cylinder Seal Ring (SP375), 8. Cylinder (SH1193A), 9. Piston Seal Ring (SP375), 10. Piston Assembly (SH677), 11. Lubricating Washer (SP8), 12. Push Rod Seal Ring (SP801), 13. Push Rod (SN392), 14. Inlet Adaptor Seal Ring (SP127), 15. Push Rod Guide (SH1397), 16. Inlet Valve Assembly (WX291), 17. Inlet Adaptor (SN451), 18. Handle (SA72), 19. Adjustor Nut (SN60/N), 20. Adjustor Trunnion (SN14), 21. Spring Adjustor Spindle (SN497), 22. Return Spring (SP134), 23. Lever (SA51/A), 24. Lever Pads (SH814), 25. Dose Adjustor Screw (SN498), 26. Dose Adjustor Lock Nut (SN499), 27. Lever Pivot Pin Clip (SP83), 28. Lever Pivot Pin (SM679).

PLEASE ORDER BY KIT AND PART NAME

SPARE PARTS AVAILABLE:

Kit Number	Part Name	Part Number
WX1617	Minor Service Kit	3,5,7,9,10,11,12,14,16,24,27.
WX1618	Major Service Kit	3,5,7,8,9,10,11,12,14,16,24,27.
WX1353	Cattle Nozzle	Not shown.
WX480	Sheep Nozzle	Not shown.
WX1489	Feed Tube Adaptor	Not shown.
WX1601	Luer Lock Injection Attachment	Not shown.
WX46	Container Complete	Not shown.
WX1629A	Feed Tube Adaptor Kit	Not shown.

NJ PHILLIPS PTY LIMITED ABN 36 000 082 002
Street Address: 44 Gindurra Road, Somersby NSW, Australia 2250
Postal Address: Locked Bag 8, Gosford NSW, Australia 2250
Phone: +61 2 4340 2044 **Fax:** +61 2 4340 1991 **Email:** njp1@njphillips.com.au
 njphillips.com

The information contained in this document is legally privileged and confidential intended only for the use of the individual or entity. If the receiver of this document is not the intended recipient, the receiver is hereby notified that any dissemination, distribution or copy of this information is strictly prohibited. If this information is received in error, please notify us immediately.

AS OUR POLICY IS ONE OF CONTINUOUS IMPROVEMENT THE MANUFACTURER RESERVES THE RIGHT TO ALTER THESE SPECIFICATIONS AT ANY TIME. ALL PRODUCTS PRODUCED BY NJ PHILLIPS PTY LIMITED, ARE IDENTIFIED BY A UNIQUE BATCH NUMBER. THIS IDENTIFICATION NUMBER IS AFFIXED TO THE PRODUCT TO ALLOW TRACEABILITY BY THE MANUFACTURER AND MUST NOT BE REMOVED IF PRODUCT INTEGRITY IS TO BE MAINTAINED. NOT ALL PART NUMBERS MAY BE AVAILABLE.