

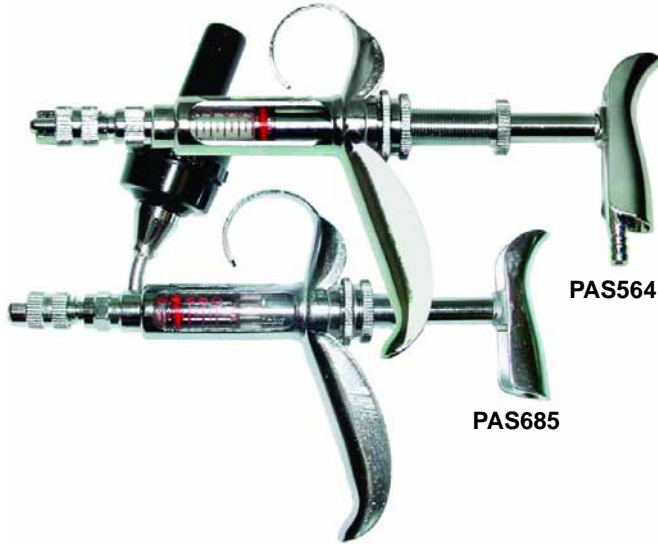


In freezing temperatures, searing heat and even underwater...you can rely on NJ Phillips.



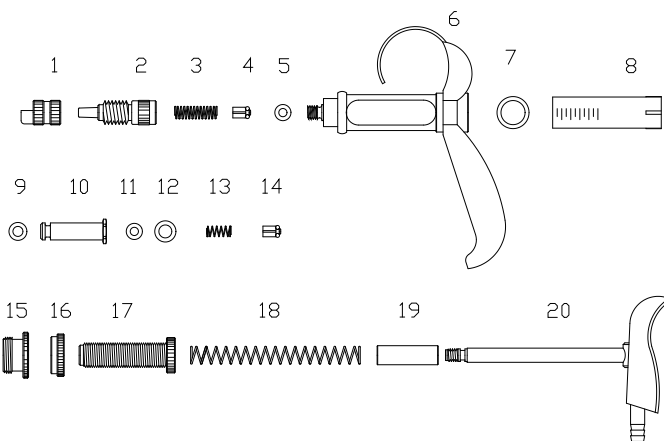
1ml Injector – Metal

Code: see below



Suitable for: Pigs, Poultry & Sheep

- High quality metal construction
- Highly accurate and versatile
- Positive dose locking mechanism
- Calibrated to 0.1ml increments
- **PAS564** – 1ml Automatic Injector
- **PAS685** – 1ml Automatic Vaccinator with bottle attachment (minimum order 200 units)
- **056-PAS564** – *Durvet only code*
- **NJP-PAS564, NJP-PAS685** – *Walco only codes*



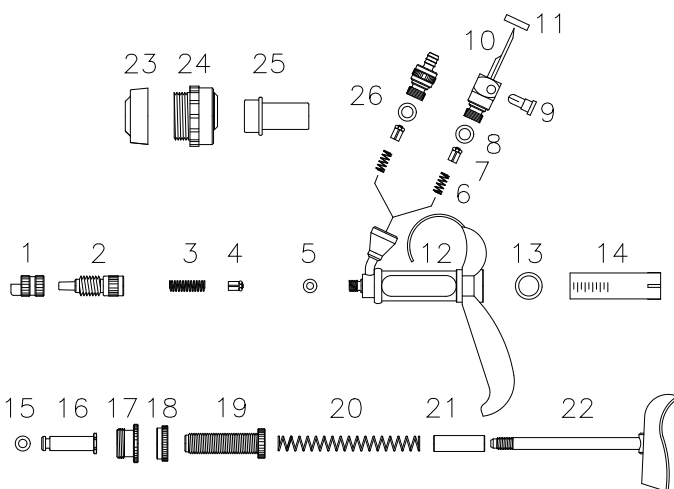
LEGEND (PAS564 & 056-PAS564):

1. Needle Nut(SN45/N)
2. Needle Mount(SN373/N)
3. Delivery Valve Spring(SP41)
4. Delivery Valve(WX1270)
5. Needle Mount Seal Ring(SP66)
6. Body(SXN358)
7. Cylinder Seal Ring(SP220)
8. Cylinder(SH485)
9. Piston Seal Ring(SP69)
10. Piston(SN310)
11. Push Rod Seal Ring(SP338)
12. Piston Collar (SN309)
13. Inlet Valve Spring(BP235)
14. Inlet Valve(WX1270)
15. Back Cap (SN262)
16. Dose Adjustor Lock Nut(SN261)
17. Dose Adjustor (SN260)
18. Return Spring(SP514)
19. Spring Cover(SN265)
20. Push Rod (SXN290).

PLEASE ORDER BY KIT AND PART NAME

SPARE PARTS AVAILABLE:

Kit Number	Part Name	Part Number
WX749	Major Service Kit	3,4,5,7,8,9,11,13,14,18.
WX1118	Minor Service Kit	3,4,5,7,9,11,13,14,18.



LEGEND (PAS685):

1. Needle Nut(SN45/N)
2. Needle Mount(SN373/N)
3. Delivery Valve Spring(SP41)
4. Delivery Valve(WX1270)
5. Needle Mount Seal Ring(SP66)
6. Inlet Valve Spring(BP235)
7. Inlet Valve(WX1270)
8. Inlet Adaptor Seal Ring(SP1)
9. Air Valve(SP295)
10. Inlet Adaptor (SXN332)
11. Bottle Seal Washer(SH275)
12. Body (SXN352)
13. Cylinder Seal Ring(SP220)
14. Cylinder(SH485)
15. Piston Seal Ring(SP69)
16. Piston(SN266)
17. Back Cap(SN262)
18. Dose Adjustor Lock Nut(SN261)
19. Dose Adjustor(SN260)
20. Return Spring(SP514)
21. Spring Cover(SN265)
22. Push Rod(SXN163)
23. Bottle Locking Seat(SH184)
24. Bottle Locking Ring(SH183A)
25. Needle Protector(SH182)
26. Conversion Kit(WX1402) (illustrated but not supplied).

PLEASE ORDER BY KIT AND PART NAME

SPARE PARTS AVAILABLE:

Kit Number	Part Name	Part Number
WX749	Major Service Kit	3,4,5,6,7,8,13,14,15,20.
WX1118	Minor Service Kit	3,4,5,6,7,8,13, 15,20.
WX1402	Conversion Kit	26. (illustrated, not supplied)

NJ Phillips Pty Limited ABN 36 000 082 002

Street Address: 44 Gindurra Road, Somersby NSW, Australia 2250 Postal Address: Locked Bag 8, Gosford NSW, Australia 2250

Telephone: 61 2 4340 2044 Facsimile: 61 2 4340 1991 Email: njp1@njphillips.com.au www.njphillips.com

The information contained in this document is legally privileged and confidential intended only for the use of the individual or entity. If the receiver of this document is not the intended recipient, the receiver is hereby notified that any dissemination, distribution or copy of this information is strictly prohibited. If this information is received in error, please notify us immediately.

AS OUR POLICY IS ONE OF CONTINUOUS IMPROVEMENT THE MANUFACTURER RESERVES THE RIGHT TO ALTER THESE SPECIFICATIONS AT ANY TIME. ALL PRODUCTS PRODUCED BY NJ PHILLIPS PTY LIMITED, ARE IDENTIFIED BY A UNIQUE BATCH NUMBER. THIS IDENTIFICATION NUMBER IS AFFIXED TO THE PRODUCT TO ALLOW TRACEABILITY BY THE MANUFACTURER AND MUST NOT BE REMOVED IF PRODUCT INTEGRITY IS TO BE MAINTAINED.

060308